



Made in the USA

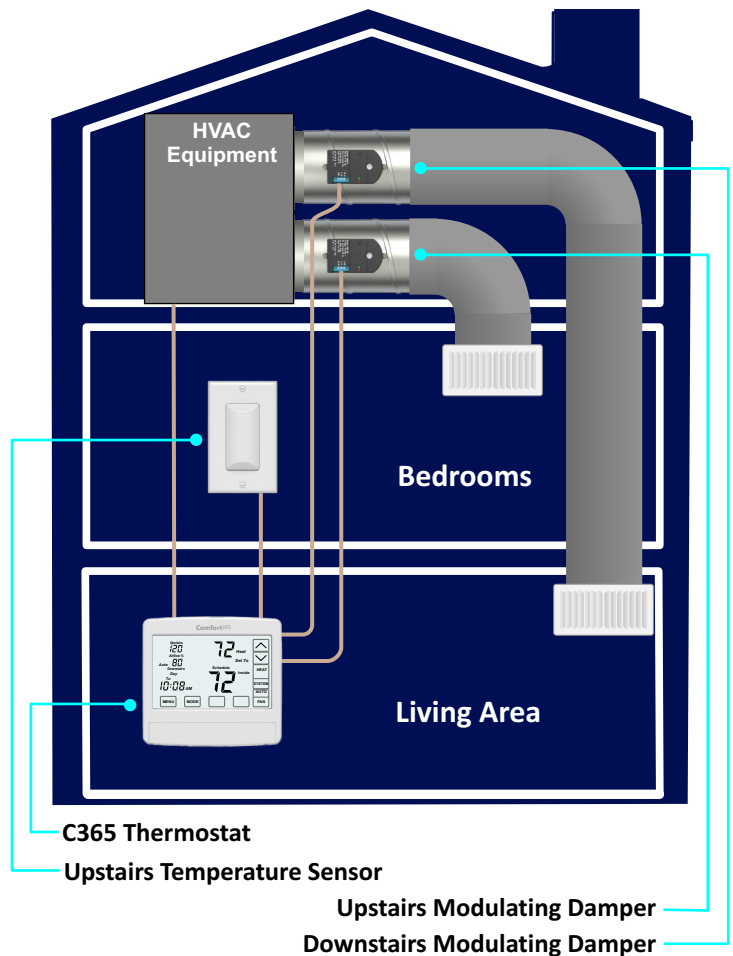
Comfort³⁶⁵

A simple solution for solving the common problem of uneven heating and cooling in a home without a zoning panel.

- **Wired Solution for Residential New Construction and Wireless Solution for Replacement Market.**
- **47 to 57% material savings** over traditional zoning and less installation labor.

The Comfort365 automatically controls heating, cooling and AIRFLOW in two-story homes and provides upstairs and downstairs comfort in all seasons without a zoning panel. The Comfort365 is also used in one-story homes to provide uniform comfort in the living and sleeping areas.

The C365 thermostat monitors the downstairs and upstairs temperatures and every 2 minutes, during heating and cooling calls, compares the thermostat temperature and the sensor temperature and automatically adjusts the modulating dampers 2% so that more airflow is directed to the area that needs it for a uniformly comfortable home.



Savings and Features

Material Savings Over Zoning

47 to 57% savings in purchased materials compared to traditional zoning.

Labor Savings

- No zoning panel to install and wire.
- No DAT sensor to install and wire.
- No transformer to install and wire.
- Reduces wiring by about 50%.
- Eliminates bypass damper and ductwork.
- Reduces HERS zoning testing.

Features

Easily Upgrade to WiFi

The WiFi version plugs into the same subbase and only one WiFi thermostat required compared to two for zoning.



Energy Saving Night Feature



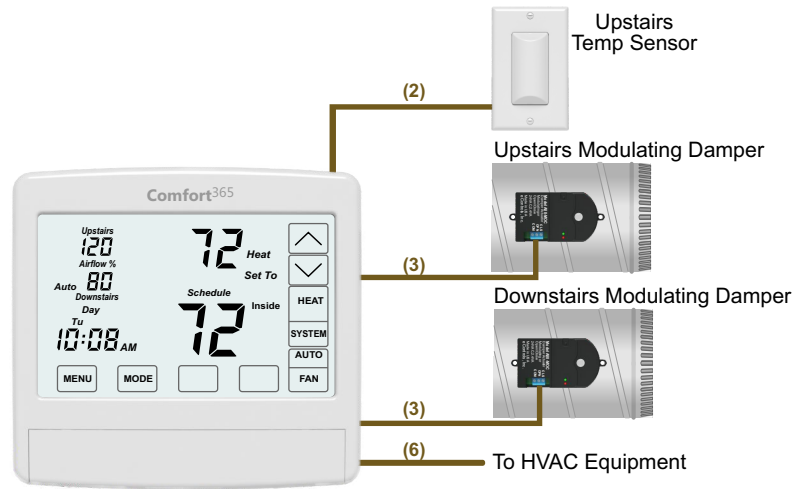
The Nighttime Airflow Option uses the upstairs temperature sensor to control heating and cooling calls and directs more airflow upstairs while sleeping.

Meets Title 24

The Comfort365 has no effect on the HVAC equipment. The equipment operates at its rated airflow and return temperature.

Wired Solution for RNC or Replacement Applications

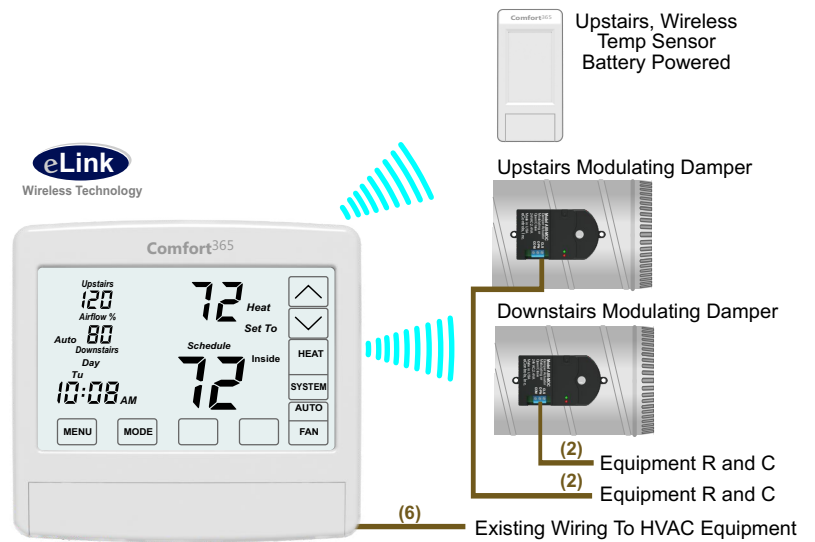
- Top builders are specifying and installing the low-cost, easy-to-install wired version.
- 2-wire connection between upstairs temperature sensor and thermostat.
- 3-wire connection between dampers and thermostat.



(X) = Number of wires

Wireless Solution for Replacement Applications

- Uses the existing thermostat to equipment wiring.
- Upstairs temperature sensor requires no wiring.
- Dampers require no wiring to the thermostat and are powered by the equipment 24VAC (R and C).

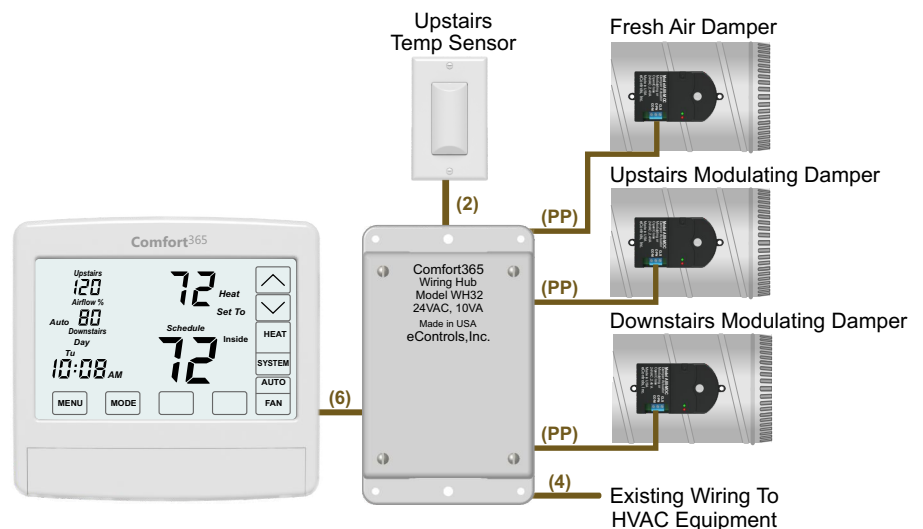


(X) = Number of wires

Wiring Hub Solution for RNC or Replacement Applications. Includes Fresh Air Control

Available 1st Quarter

- Wiring Hub is installed at the equipment and uses the existing equipment to thermostat wiring.
- Fresh Air Control per ASHRAE 62.2.
- Thermostat uses existing thermostat to equipment wiring.
- Plug and play connectors between all dampers and wiring hub.
- 2-wire connection between upstairs temperature sensor and wiring hub.
- Eliminate wiring upstairs temperature sensor by using optional wireless radio and wireless upstairs temperature sensors.

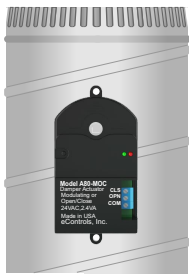


(X) = Number of wires



C365 Thermostats

- Available models - wired, wireless or communicating.
- For gas/electric equipment with 1H/1C, 2H/1C or 1H/2C or heat pump equipment with 2H/2C.
- 7-Day Programmable.
- High-definition, 8.90 sq. inch touch screen display.



C365 Dampers

- Available models - wired, wireless and plug and play.
- Available diameters - 6", 7", 8", 9", 10", 12", 14", 16", 18" and 20".
- No internal gasket to restrict airflow.
- Actuator has been tested to over 9 million cycles.



C365 Upstairs Temperature Sensors

- Available models - wired and wireless.
- One or two sensors can be installed and averaged.



C365 Wiring Hub with Fresh Air Control

- For gas/electric or heat pump equipment with 3H/2C.
- Compatible with C365 communicating thermostat.
- Compatible with wired or wireless upstairs temperature sensors.
- Plug and play connectors for dampers.

5-Year Warranty

All products have a 5-year warranty, limited to the repair or replacement of the product due to defective material or workmanship.